

The Sustainment Training Center (STC) offers an Stryker Troubleshooting Training Course focusing on troubleshooting the mechanical and electrical systems. Core fundamental teaching points are engine and transmission, height management, steering and electrical system troubleshooting. How to use the On-Board diagnostic system.

The training is NOT MOS producing or Additional Skill Identifier (ASI) awarding.

This course is in the ATRRS School Reservation System under School Code 952, Course Title: 964-STRYKERTS.

Technicians/Soldiers attending the instruction will attend this training in a paid status. Cost to the States for sending Technicians/Soldiers include travel to and from Camp Dodge from the Technicians/Soldiers home station. Food subsistence is local economy. Lodging is available on Camp Dodge for \$43.00 per night for single room, queen size bed and shared latrine.

Find Per Diem cost for Camp Dodge, Johnston, Iowa at:  
<https://www.gsa.gov/travel/plan-book/per-diem-rates>

On Post Quarters



Army National Guard

Sustainment Training Center

7105 NW 70th Ave

Camp Dodge

Johnston, Iowa 50131-1824

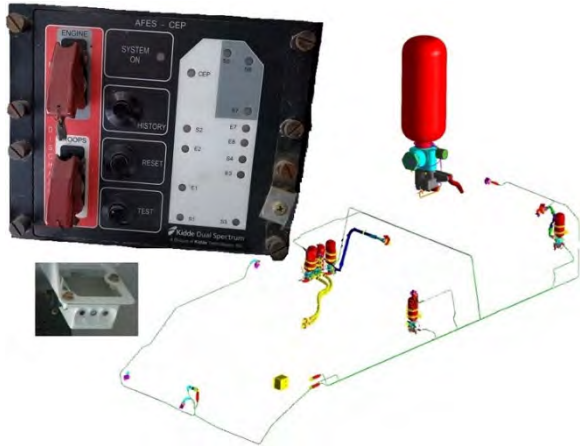
<https://stcia.com>



Stryker  
Troubleshooting  
Training Course



# Stryker Troubleshooting Training Course



## TASKS TAUGHT

- Electrical System
- Fire Suppression Test
- Electrical Fundamentals
- Hydraulic Fundamentals



Army National Guard Sustainment Training Center (STC)

Stryker Troubleshooting Training Course

964-STRYKERTS

Visit ATRRS Course Catalog at

<https://www.atrrs.army.mil/atrrscc>

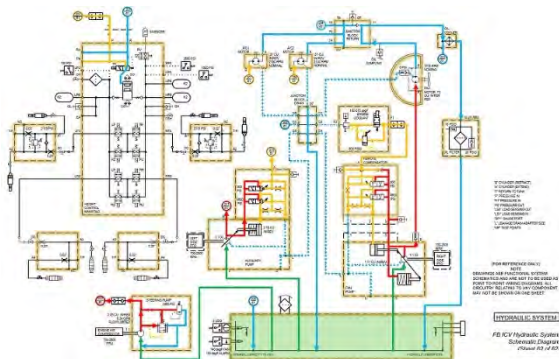
Questions regarding enrollment procedures contact:

Mark T. Rushing

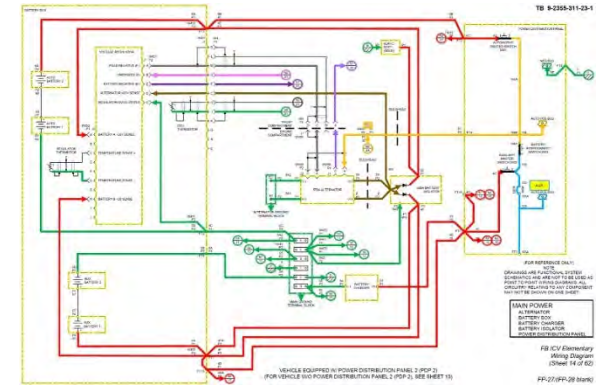
Commercial: (515) 727-3579

DSN: 431-3579

[mark.t.rushing.ctr@army.mil](mailto:mark.t.rushing.ctr@army.mil)



# Stryker Troubleshooting Training Course



## TASKS TAUGHT

- Electrical Schematics
- Hydraulic Schematics
- Pneumatic Schematics
- On-Board Diagnostics

